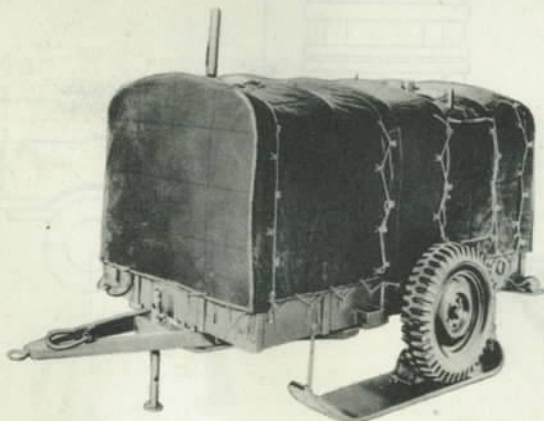


facilities for bath.

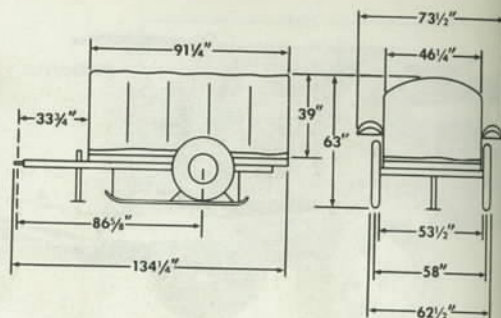
Weight (lb): Net—3,800.....Payload—440.....Gross—4,240

Ground clearance:.....(in.) 12
 Brakes:.....Parking—chuck blocks
 Towing vehicles to be used: Truck, cargo.....2½-ton, 6 x 6
 Shipping dimensions, assembled vehicle: (cu ft) 321; (sq ft) 69

TRAILER, 1-TON, SNOW, M19



RA PD 347112



Technical Manuals: 9-774,
9-1774

Manufacturer: Allis-Chalmers Mfg. Co.

Purpose: To transport aircraft engine heater and booster equipment, and litters for sick or wounded personnel.

Body type:..... Wood and steel construction

Weight (lb): Uncrated—Net—640; Payload—2,000; Gross—2,640

Vehicle dimensions:*

Inside height.....(in.) 39

210

Weight distribution (lb):

Empty.....Lunette—75; axle—565

Loaded.....Lunette—315; axle—2,325

Loading height:.....(in.) 19

Tires: Ply—6.....Size—6.00 x 16.....Operating—2

Ground clearance:.....(in.) 16½

Towing vehicles to be used:.....Snow tractor, M7

Pintle height (in.):.....Rear—15

Shipping dimensions:.....(cu ft) 356.8; (sq ft) 68.5

*When skis are used on trailer as sled, over-all width is 64½ in.